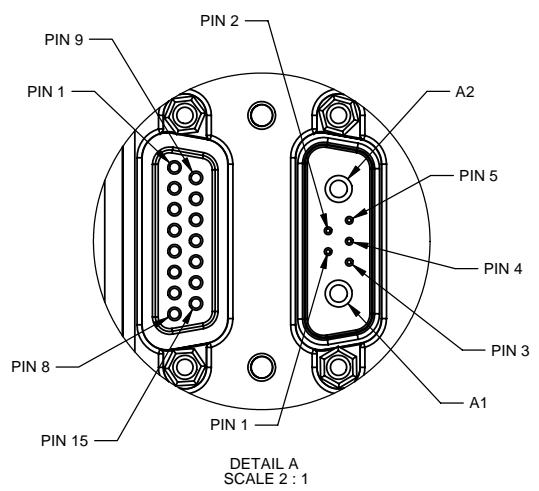
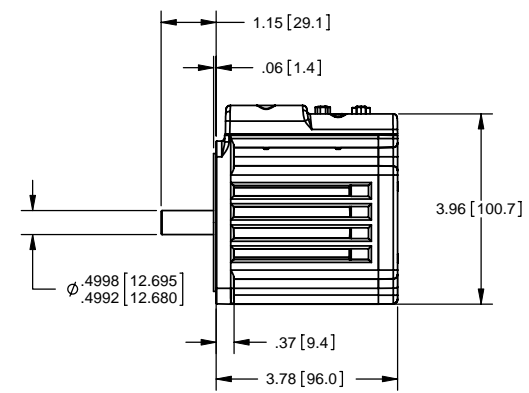
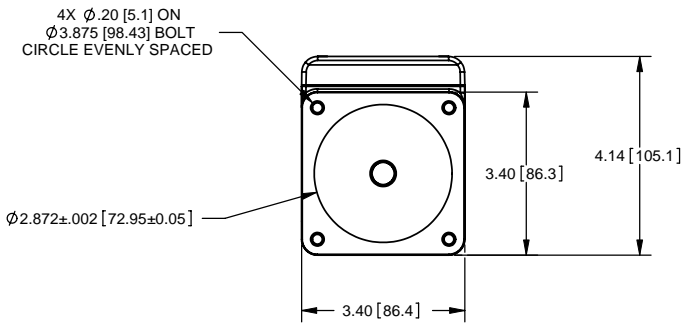
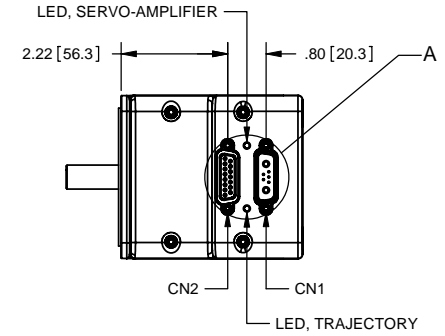
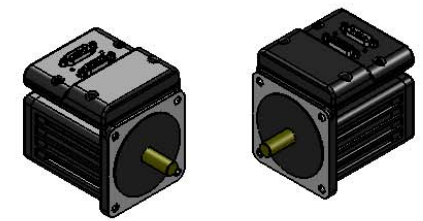


REV.	DESCRIPTION	ZONE	ECO	DATE	APPROVED
A	WORK IN PROGRESS			11/24/2008	

NOTE: UNLESS OTHERWISE SPECIFIED

- MOTOR LED STATES:
 LED, SERVO-AMPLIFIER: RED = SERVO-AMPLIFIER OFF [DEFAULT STATE]
 GREEN = SERVO-AMPLIFIER ON OR SERVO IN PLACE
 LED, TRAJECTORY: OFF = NOT IN CONTROLLED TRAJECTORY [DEFAULT STATE]
 GREEN = IN CONTROLLED TRAJECTORY [CONTROLLED MOTION]
- CN1 AND CN2 USE #4-40 JACK SCREW FOR FASTENING.
- DIMENSIONS ARE NOMINAL UNLESS OTHERWISE SPECIFIED.
- DIMENSIONS IN [] ARE mm.
- SEE TORQUE VS. SPEED CHART FOR MOTOR PERFORMANCE.



MATERIAL /	FINISH /	DRAWN M. TRAN	DATE 11/24/2008	ANIMATICS CORP.	
		ENGR M. TRAN	DATE 11/24/2008		
<small>INTERPRET DIMENSIONS AND TOLERANCES PER ASME Y14.5M - 1994.</small> <small>CONFIDENTIAL - THE INFORMATION CONTAINED HEREIN IS THE PROPRIETARY PROPERTY OF ANIMATICS CORPORATION, AND IS PROTECTED AS A TRADE SECRET. IT IS SUBMITTED FOR USE BY RECIPIENT ONLY FOR A BUSINESS PURPOSE AUTHORIZED BY ANIMATICS CORPORATION. ANY OTHER USE IS PROHIBITED. RECIPIENT AGREES TO KEEP SUCH INFORMATION CONFIDENTIAL.</small>		INCH <small>THIRD ANGLE PROJECTION</small>		<small>DIMENSIONS ARE INCHES AND TOLERANCE ARE:</small> DECIMALS: .XXX ± .005 ANGLES: .XX ± 25° .XX ± .01 .X ± .5°	
		<small>DO NOT SCALE DRAWING</small>		SCALE 1:2	SHEET 1 OF 1